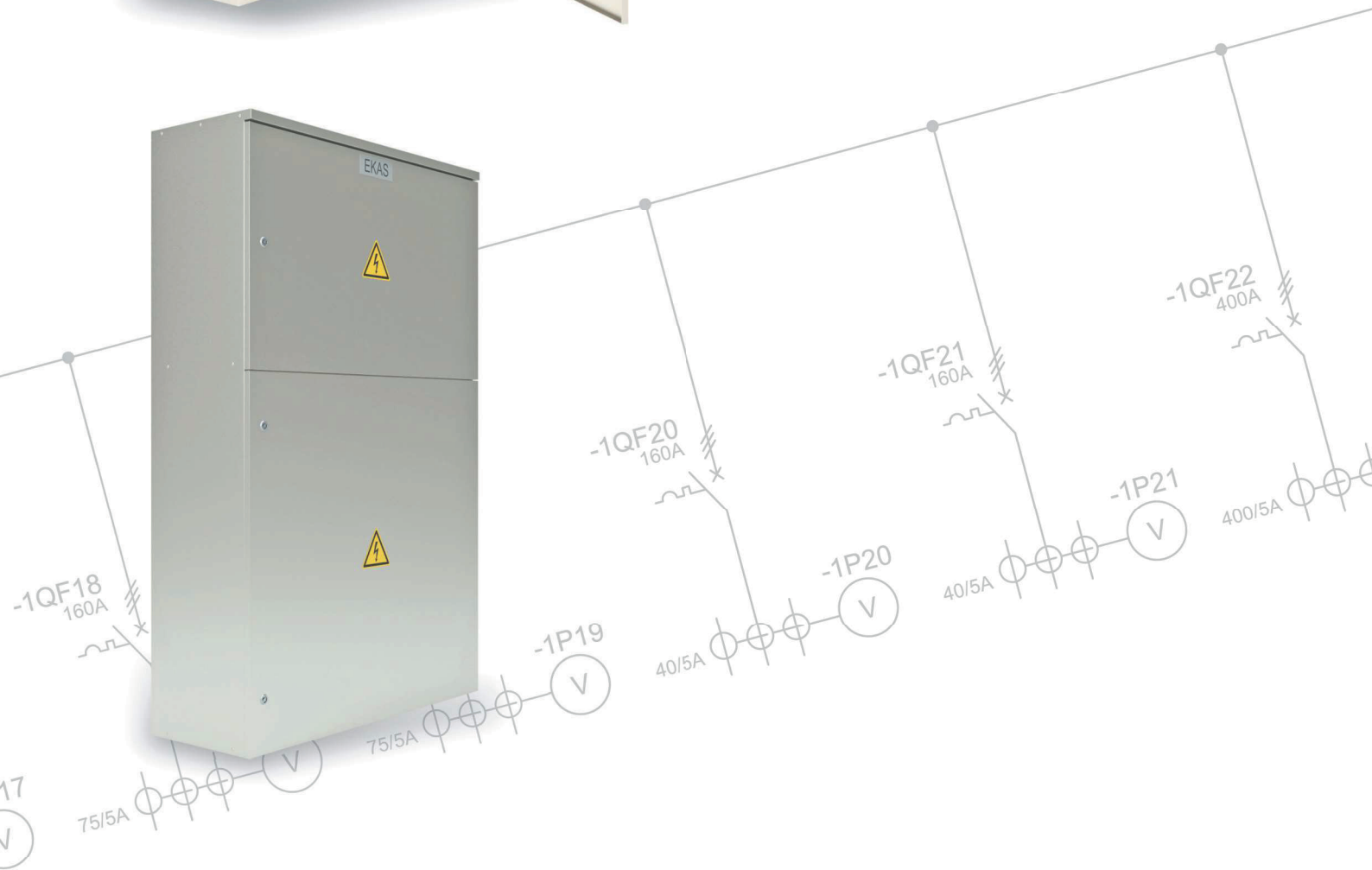


EKAS

Cable transit & metering cabinets



EKAS

Cable transit & metering cabinets

Description

Designed for three-phase ~400V, 50Hz frequency electricity energy distribution and protection against overloads or short circuits, as well as for the installation of energy meters.

The module of the cable part is adapted to install fuse switch disconnectors of various manufacturers.

The sealed module of the metering part is suitable for installation of different types direct connection electricity metering devices.

Suitable for indoor and outdoor use.

Self-ventilated, moisture-proof and dust-proof.

Mounting methods: on the foundation, on the wall or support.

Standard color - RAL 7032.

Other colors are available according to project needs.

Technical Parameters

Nominal voltage Un	400/230V
Insulation voltage Ui	400V
Nominal current In	≤ 400A
Short-time withstand current Icw	≤ 10kA
Nominal frequency f	50 Hz
Ambient temperature	-35...+35°C
Degree of protection	IP44
Mechanical impact	IK08
Door opening angle	120°

Construction Material Coating

Frame, doors	Galvanized sheet steel DX51+AZ150, t=1,5mm Powder painting: RAL 7032, ≥ 80µm
Base	Sheet steel S235, t=2,5mm Hot-dip zinc coating, ≥ 70µm

Dimensions height/width/depth (mm)

EKAS-2/1h*	1300 / 600 / 300
EKAS-3/1h*	1300 / 800 / 300
EKAS-4/1h*	1300 / 1000 / 300
EKAS-6/2v**	1400 / 1200 / 300
EKAS-2/L	1750 / 600 / 300
EKAS-3/L	1750 / 800 / 300
EKAS-4/L	1750 / 1000 / 300

*h-designed for horizontal type fuse blocks

** v-designed for vertical type fuse block

The height of the base	1000
------------------------	------

Standarts

IEC/EN 61439-1
IEC/EN 61439-5
IEC/EN 60529
IEC/EN 62262
LST EN 10346
LST ISO 1461